

# 20/25/30/33DT-7

Diesel Counterbalance Trucks

MOVING YOU FURTHER

HYUNDAI HEAVY INDUSTRIES



 **HYUNDAI | FORKLIFT**  
HEAVY INDUSTRIES

Head Office (Sales Office)  
18TH FL., DIGITAL CUBE BLDG. 34, SANGAMSAN-RO, MAPO-GU, SEOUL 121-904, KOREA  
TEL (82) (2) 6424-1118 / FAX (82) (2) 6424-1129

Americas Operation : Hyundai Construction Equipment Americas, Inc.  
6100 ATLANTIC BOULEVARD NORCROSS GA 30071 U.S.A  
TEL (1) 847-678-823-7802 / FAX (1) 847-678-823-7778

Europe Operation : Hyundai Heavy Industries Europe N.V.  
VOSSENDAAL 11, 2440 GEEL, BELGIUM  
TEL (32) 14-56-2200 / FAX (32) 14-59-3405



PLEASE CONTACT

[www.hyundai-ce.com](http://www.hyundai-ce.com)

2015. 11 Rev.1

\* Some of the photos may include optional equipment.

 **HYUNDAI**  
HEAVY INDUSTRIES

# Your satisfaction is our priority!

Hyundai introduces a new line of 7-series diesel forklift trucks. The newly designed 4 wheel counterbalance trucks provide every operator comfortable driving, increased productivity and easy maintenance.

## New Diesel Forklift with Proven Quality and Advanced Technology

- Maximum performance
- Spacious operator's cab
- Easy serviceability
- Load weight indicator (Optional)
- OPSS System for safe operation (Optional)



\* Some of the photos may include optional equipment.



# High Efficiency & Optimal Performance



Powerful engine and high technology systems provide you with enhanced performance and highest productivity.

**20/25/30/33DT-7**



\* Some of the photos may include optional equipment.



## Excellent and Economical Hyundai WIA WC30D engine

**60PS / 2,500 rpm**

Market approved quality of Hyundai WIA WC30D engine ensures incomparable performance, durability and excellent fuel efficiency. This engine meets EPA Tier 3 and EU stage IIIA emission regulations.

- Excellent engine Durability applied Timing Gear
- Rapid Acceleration Smoke Decrease
- Apply Friction Gear For Reducing Gear Rattle Noise
- One Shot Start at -25°C installed Cold Start Device



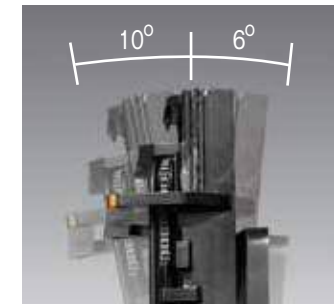
### Highly durable drive axle

The strengthened drive axle separable from transmission ensures low vibration and easy maintenance. The wet disc type brake is applied for easy operation, smooth response and maintenance free.



### Wet disc brake system

The wet disc brake system is virtually maintenance free and is enclosed to protect from dust and water.



### Increased mast tilting angle

Utilizing the standard mast tilting angle of 6 degrees forward and 10 degrees backward, the operator can safely and rapidly perform loading and unloading jobs.



### Fully hydrostatic power steering

The hydraulic steering system always guarantees smooth and flexible steering, preventing over-run and kick-back.



### Travel Speed (Max)

Model	km / h
20DT	20.5
25DT	20.5
30DT	21.5
33DT	21.4

### Gradeability (Max)

Model	deg
20DT	20.5
25DT	17.8
30DT	14.6
33DT	13.5

### Faster travel speed & gradeability

The powerful high-output engine provides greater acceleration, better gradeability and faster travel speed on any tough terrain or slope.

# Best Convenience & Optimized Ergonomics



The ergonomically designed cabin and the centralized cluster provides full support and comfort to the operator.

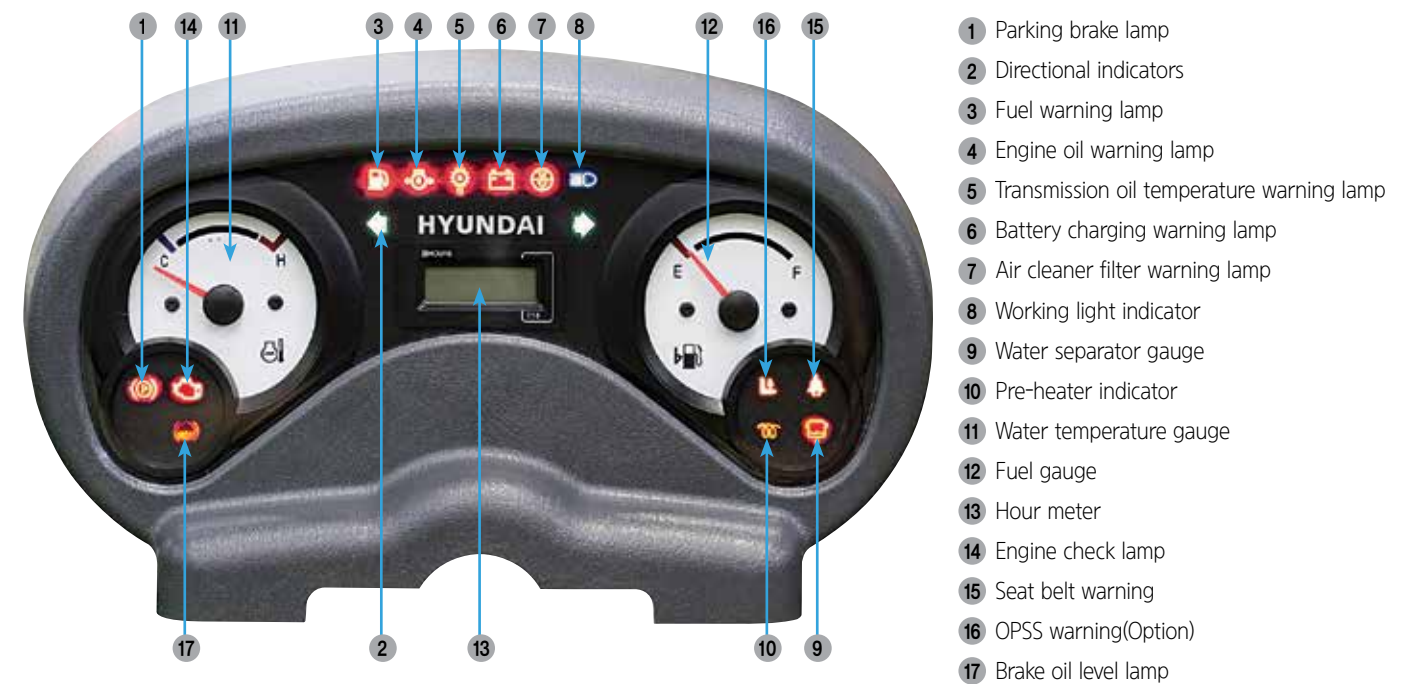
**20/25/30/33DT-7**



\* Some of the photos may include optional equipment.

## Spacious operator over head guard

The newly designed cabin provides wide visibility and spacious environment, ensuring all day comfort for the operator.



- 1 Parking brake lamp
- 2 Directional indicators
- 3 Fuel warning lamp
- 4 Engine oil warning lamp
- 5 Transmission oil temperature warning lamp
- 6 Battery charging warning lamp
- 7 Air cleaner filter warning lamp
- 8 Working light indicator
- 9 Water separator gauge
- 10 Pre-heater indicator
- 11 Water temperature gauge
- 12 Fuel gauge
- 13 Hour meter
- 14 Engine check lamp
- 15 Seat belt warning
- 16 OPSS warning(Optional)
- 17 Brake oil level lamp

## Operator friendly gauges and water-resistant monitor panel



### Optimized pedal position

On the 7-series the pedals are mounted to the console to reduce operator fatigue, and noise and dust from the engine compartment.



### Low entrance height

The low entrance height ensures easy and safe access for the operator.



### Cup holder & console box

Additional storage spaces are located inside the operating space for operator's convenience.



### Comfortable Seat

Easily adjustable suspension seat, based on a human engineering design, reduces operator fatigue and provides greater comfort.

\*ELR (Energy Locking Retractor) Type Seat Belt



### Adjustable steering wheel

To achieve a comfortable drive position, the angle of the steering column can easily be adjusted by a lever on the right-hand side of the steering column.



### Easy and safe shift lever

A single lever on the left side of the steering column gives the operator fast, easy control of direction.



### Multi-function switch lever

Multi-functional switch lever gives easy access to lights and turning signal.



### Quick response of operating control levers

Only minimal operator's effort is required for precise, safe and productive control.



# Advanced Safety



The safely designed driver's space makes your operating more comfortable.

**20/25/30/33DT-7**



## Excellent visibility for safe operation

Optimized lift cylinder arrangement provides operator with wider visibility. The panoramic mirror expands the driver's view when backing up.

\* Some of the photos may include optional equipment.



## Strong overhead guard

Exceeding CEE and ANSI regulations, the overhead guard offers optimal protection combined with excellent all round visibility.



## Convenient hand grip



## Parking brake

Ratchet type parking brake requires less efforts from the operator to set.

## Fork safety features

When the forks are being lowered, a down-control valve maintains the controlled speed. The down-safety valve prevents forks from dropping down in case of sudden damage of hydraulic line.

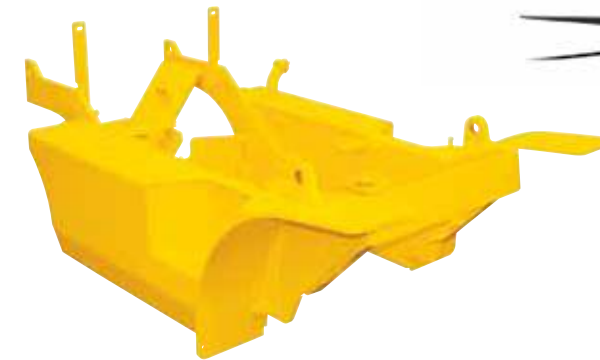
## OPSS(Operator Presence Sensing System) (Option)

All mast and drive movements stop functioning when the operator is not in the seat.

- Lift Lock
- Tilt Lock
- Drive Lock
- Parking



\* Some of the photos may include optional equipment.



## Heavy duty single unit frame

Heavy duty single unit type frame, designed on the basis of accurate structural analysis, guaranteeing durability and safety.



## Bright, protected headlights

Bright, protected headlights is positioned for exceptional visibility.



# Fast and Easy Maintenance

An ideal arrangement of components ensures easy access and convenience for maintenance.

**20/25/30/33DT-7**



## Large open engine hood

Highly accessible engine compartment assures fast and efficient maintenance.

\* Some of the photos may include optional equipment.



\* Some of the photos may include optional equipment.



## Easy change air cleaner

The air filter is readily accessible for cleaning or replacement.



## Brake fluid reservoir with level switch

When brake oil level becomes lower than Min. the warning lamp on the cluster lights on.



## Electrically monitored air filter

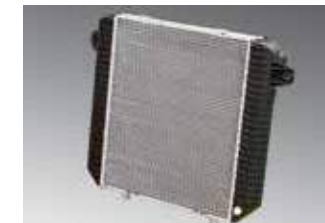
Air cleaner sensor alerts the operator of a restricted air filter and allows replacement before damage.



## An accessible, compact fuse box for easy inspection



## Portable side cover



## Aluminum radiator with superb protection against heat



## Engine oil condition check

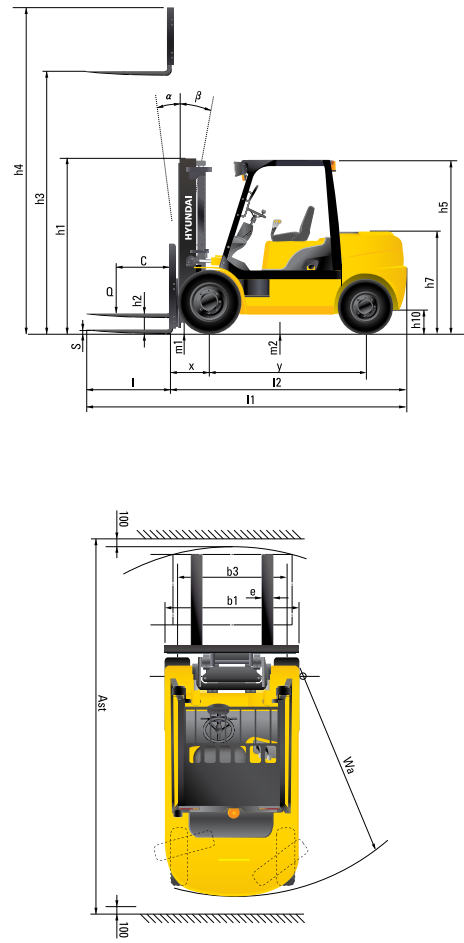


## Tool-less floor plate for serviceability.





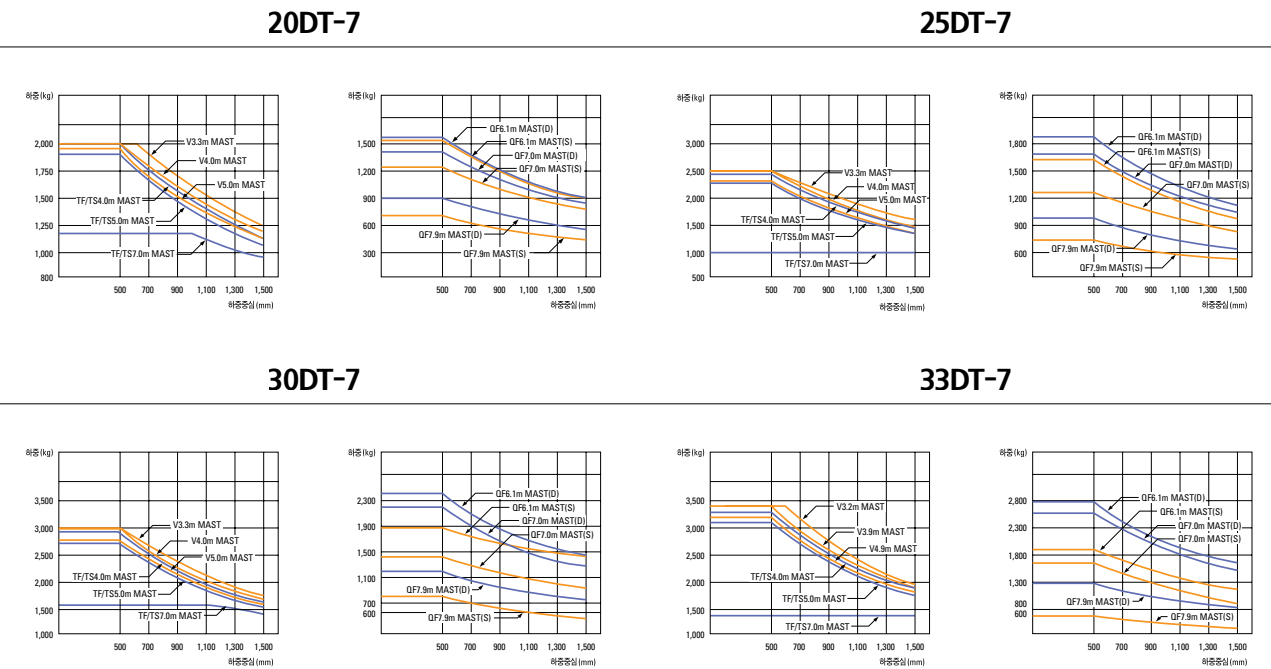
Dimension



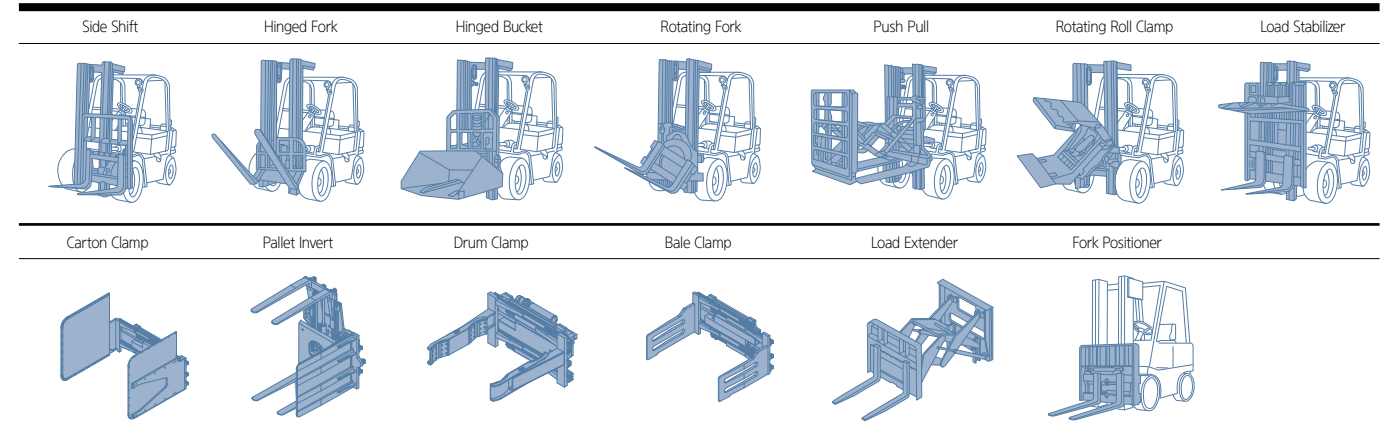
Specification

Identification					
1.1	Manufacturer	Hyundai	Hyundai	Hyundai	Hyundai
1.2	Manufacturer's type designation	20DT-7	25DT-7	30DT-7	33DT-7
1.3	Drive: electric(battery or mains),diesel,petrol,fuel gas>manual	DIESEL	DIESEL	DIESEL	DIESEL
1.4	Type of operation:hand,pedestrian,standing,seated,order-picker	seated	seated	seated	seated
1.5	Load capacity / rated load	kg 2,000	2,500	3,000	3,300
1.6	Load center distance	c mm 500	500	500	500
1.8	Load distance, center of drive axle to fork	x mm 468	468	468	468
1.9	Wheelbase	y mm 1,650	1,650	1,700	1,700
Weights					
2.1	Service weight(including battery)	kg 3,417	3,731	4,212	4,494
2.2	Axle loading, loaded front/rear	kg 4,732 / 685	5,460 / 771	6,183 / 929	6,840 / 955
2.3	Axle loading, unloaded front/rear	kg 1,558 / 1,859	1,493 / 2,238	1,631 / 2,581	1,660 / 2,835
Wheels, Chassis					
3.1	Tires:solid rubber, superelastich, pneumatic, polyurethane	Pneumatic	Pneumatic	Pneumatic	Pneumatic
3.2	Tires size, front	7.00-12-12PR	7.00-12-12PR	8.15-15-14PR	8.15-15-14PR
3.3	Tires size, rear	6.50-10-12PR	6.50-10-12PR	6.50-10-12PR	6.50-10-12PR
3.5	Wheels, number front x rear(x=driven wheels)	2x / 2	2x / 2	2x / 2	2x / 2
3.6	Track width, front	mm 965	965	1,005	1,005
3.7	Track width, rear	mm 980	980	980	980
Basic Dimensions					
4.1	Mast / fork carriage tilt forward / backward	degrees 6 / 10	6 / 10	6 / 10	6 / 10
4.2	Lowered mast height	h1 (mm) 2,025	2,025	2,040	2,260
4.3	Free lift	h2 (mm) 155	155	155	155
4.4	Lift height	h3 (mm) 3,005	3,005	3,005	3,305
4.5	Extended mast height	h4 (mm) 4,185	4,185	4,185	4,485
4.7	Overhead load guard(cab) height	h5 (mm) 2,160	2,160	2,180	2,180
4.8	Seat height / standing height	h7 (mm) 1,110	1,110	1,130	1,130
4.12	Coupling height	h10 (mm) 283	283	299	299
4.19	Overall length	l1 (mm) 3,597	3,657	3,742	3,782
4.20	Length to face of forks	l2 (mm) 2,547	2,607	2,692	2,732
4.21	Overall width	b1 (mm) 1,160 / 1,515	1,160 / 1,515	1,230 / 1,515	1,230 / 1,515
4.22	Fork dimensions(hook type)	l / e / s (mm) 1,050x100x45	1,050x100x45	1,050x122x45	1,050x122x45
4.23	Fork carriage ISO 2328, class / type A,B	II / A	II / A	III / A	III / A
4.24	Fork-carriage width	b3 (mm) 1,102	1,102	1,102	1,102
4.31	Ground clearance, loaded, under mast	m1(mm) 130	130	145	145
4.32	Ground clearance, centre of wheelbase	m2(mm) 171	171	189	189
4.33	Aisle width for pallets 1,000x1,200 crossways(LxW)	Ast(mm) 3,928	3,981	4,066	4,102
4.34	Aisle width for pallets 800x1,200 lengthways(WxL)	Ast(mm) 4,128	4,181	4,266	4,302
4.35	Turning radius	Wa(mm) 2,260	2,313	2,398	2,463
Performance Data					
5.1	Travel speed, unloaded	km/h 20.5	20.5	21.5	21.4
5.2	Lift speed, loaded/ unloaded	mm/s 600 / 610	590 / 600	490 / 500	480 / 500
5.3	Lowering speed, loaded/unloaded	mm/s 500 / 450	500 / 450	500 / 450	500 / 450
5.5	Drawbar pull, loaded	kg 2,118	2,134	2,024	2,031
5.7	Gradient performance, loaded/ unloaded	% 37.3	32.2	26.0	24.0
5.10	Service brake	Foot	Foot	Foot	Foot
Engine					
6.1	Engine manufacturer / type	HYUNDAI WIA / WC30D	HYUNDAI WIA / WC30D	HYUNDAI WIA / WC30D	HYUNDAI WIA / WC30D
6.2	Rated output	ps/rpm 60 / 2,500	60 / 2,500	60 / 2,500	60 / 2,500
6.3	Maximum torque	kgf.m/rpm 18.7 / 1,800	18.7 / 1,800	18.7 / 1,800	18.7 / 1,800
6.4	No. of cylinder / cubic capacity	EA/cc 4 / 2,957	4 / 2,957	4 / 2,957	4 / 2,957
6.5	Oil volume	ℓ 54	54	54	54
Other Details					
8.2	Operating pressure(system / attach)	kgf/cm <sup>2</sup> 200 / 165	200 / 165	200 / 165	200 / 165
	Attach oil volume (Max.)	ℓ/min 54	54	54	54

Load Capacity



Various Attachments



Optional Items

- Cabin & Heater
- Sideshift, Fork Positioner
- Integrated Sideshift, Integrated Sideshift with Fork Positioner (Sync)
- Fork (mm)
  - 20/25DT-7 900 / 1,000 / 1,200 / 1,350 / 1,500 / 1,650 / 1,800 (1,050 STD)
  - 30/33DT-7 900 / 1,150 / 1,200 / 1,350 / 1,500 / 1,650 / 1,800 / 2,400 (1,050 STD)
- Overshoe(mm)
  - 20/25DT-7 1,300 / 1,500 / 1,700 / 1,800
  - 30/33DT 1,500 / 1,700 / 1,800
- Tilting
  - 6° / 6°, 3° / 3°
- Tire
  - Solid, Non-marking
  - Double tire (Front)
- Exhaust (Horizontal)
- Master S/W
- MCV
  - 4-SPOOL
- MAST
  - 2-Stage full free lift
  - 3-Stage full free lift
  - 4-Stage full free lift
- Pre Cleaner
- Seat
  - Grammer
  - (Arm rest, Buckle sw, Seat belt interlock)
- OPSS(Travel, Travel+Mast)
- Load Weight Indicator