



# CLAMSHELL - HCB220

Clamshell is most rugged made from a combination of steel & Hardox plates of suitable thickness. It comes with 360° rotation with speed controller.

Application - Coal, Iron Ore, Clinker Fertilizer.



## Features and benefits



Heavy duty cylinder



360° clock and anti-clock rotation for operation efficiency



Specially designed to handle different type of material light, smooth and abrasive material



Hardox plates for longer bucket life



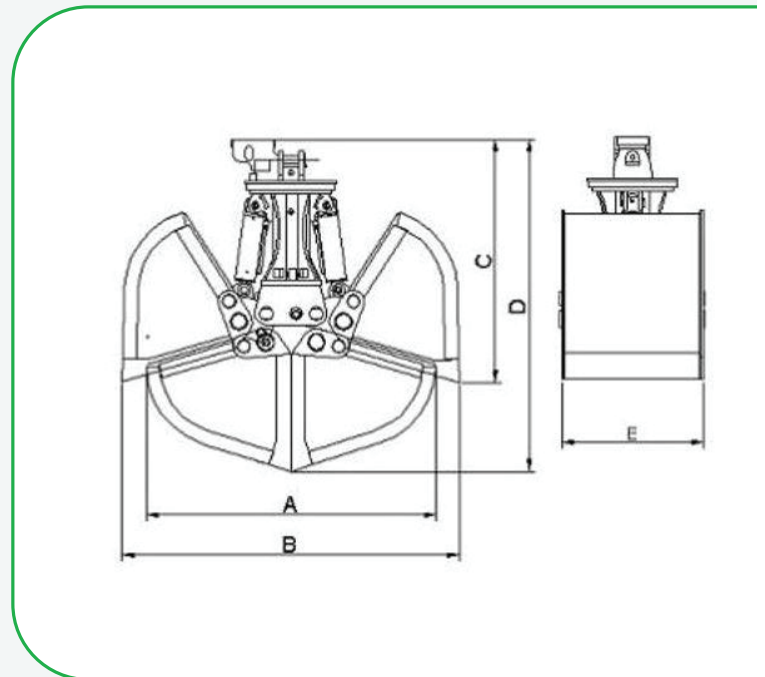
Full operation control from cabin



Speed control for better productivity

## Technical Specification

Description	Unit	HCB220
Gross weight	Kg	1385
Hanger with pin	Kg	140
Capacity	m <sup>3</sup>	1.0
System pressure	bar	300
Cylinder pressure	bar	280
Cylinder flow	l/min	250
Rotation pressure	bar	140
Rotation flow	l/min	80
Dimension (mm)	A	1900
	B	2160
	C	1620
	D	2140
	E	976
Applicable model	-	 210, 215, 215L, 230LM



## HD Hyundai Construction Equipment India Pvt. Ltd.

### Factory Location

Plot No. A-2, M.I.D.C. Chakan, Phase II,  
Village: Khalumbre, Taluka: Khed, Dist:Pune-410501  
E mail: parts@hd.com  
Toll Free No.: 1800 209 8600

### Please Contact

[in.hd-hyundaice.com](http://in.hd-hyundaice.com) [@HDHyundaiCEIndia](https://www.instagram.com/HDHyundaiCEIndia) [@HyundaiCEIndia](https://twitter.com/HyundaiCEIndia) [/HDHyundaiCEIndia/](https://www.facebook.com/HDHyundaiCEIndia) [@HDHyundaiCEIndia](https://www.youtube.com/@HDHyundaiCEIndia) [hyundai-construction-equipment-india-pvt-ltd](https://www.linkedin.com/company/hyundai-construction-equipment-india-pvt-ltd)

Scan the QR code with your phone camera & visit our website

